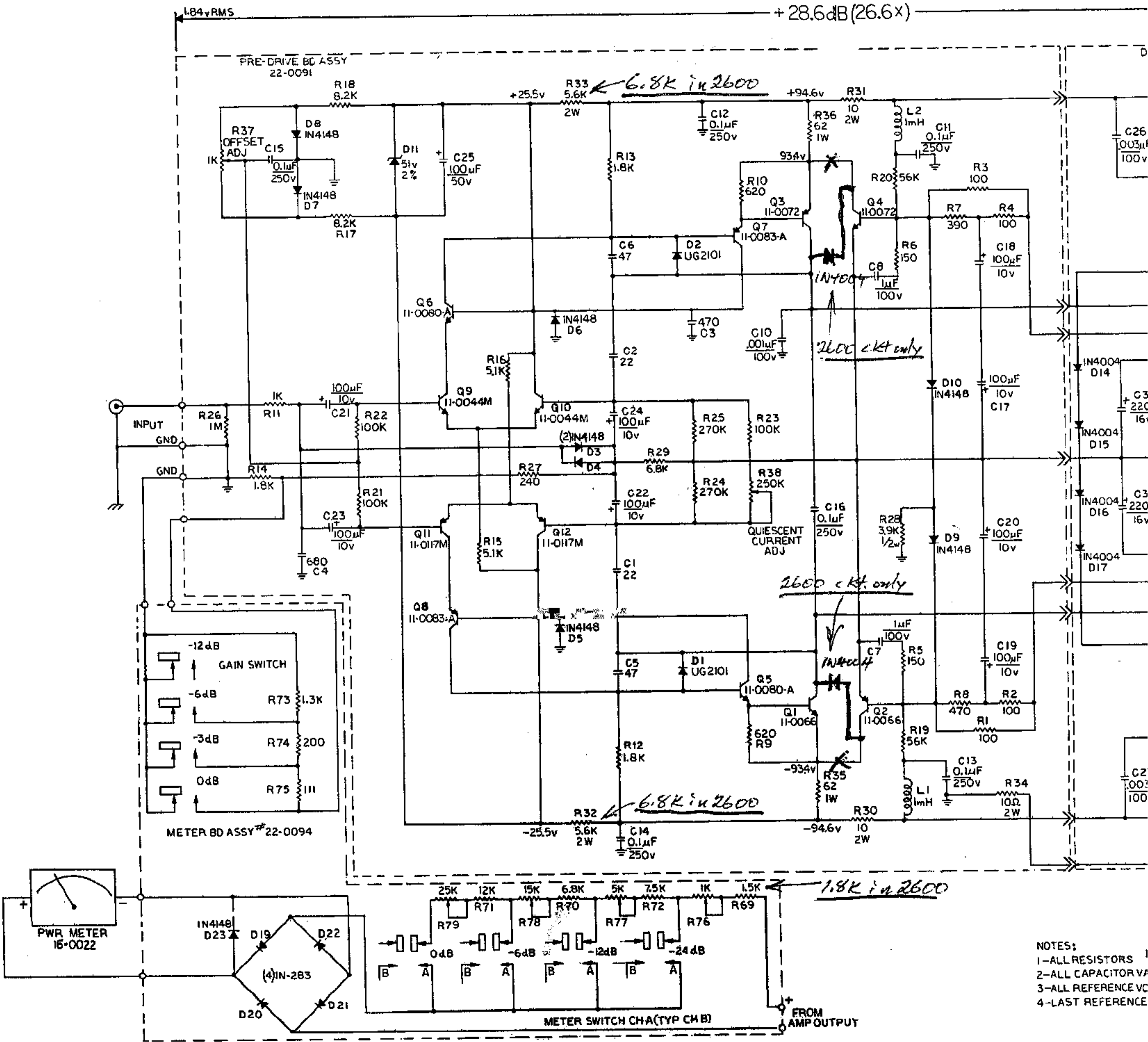
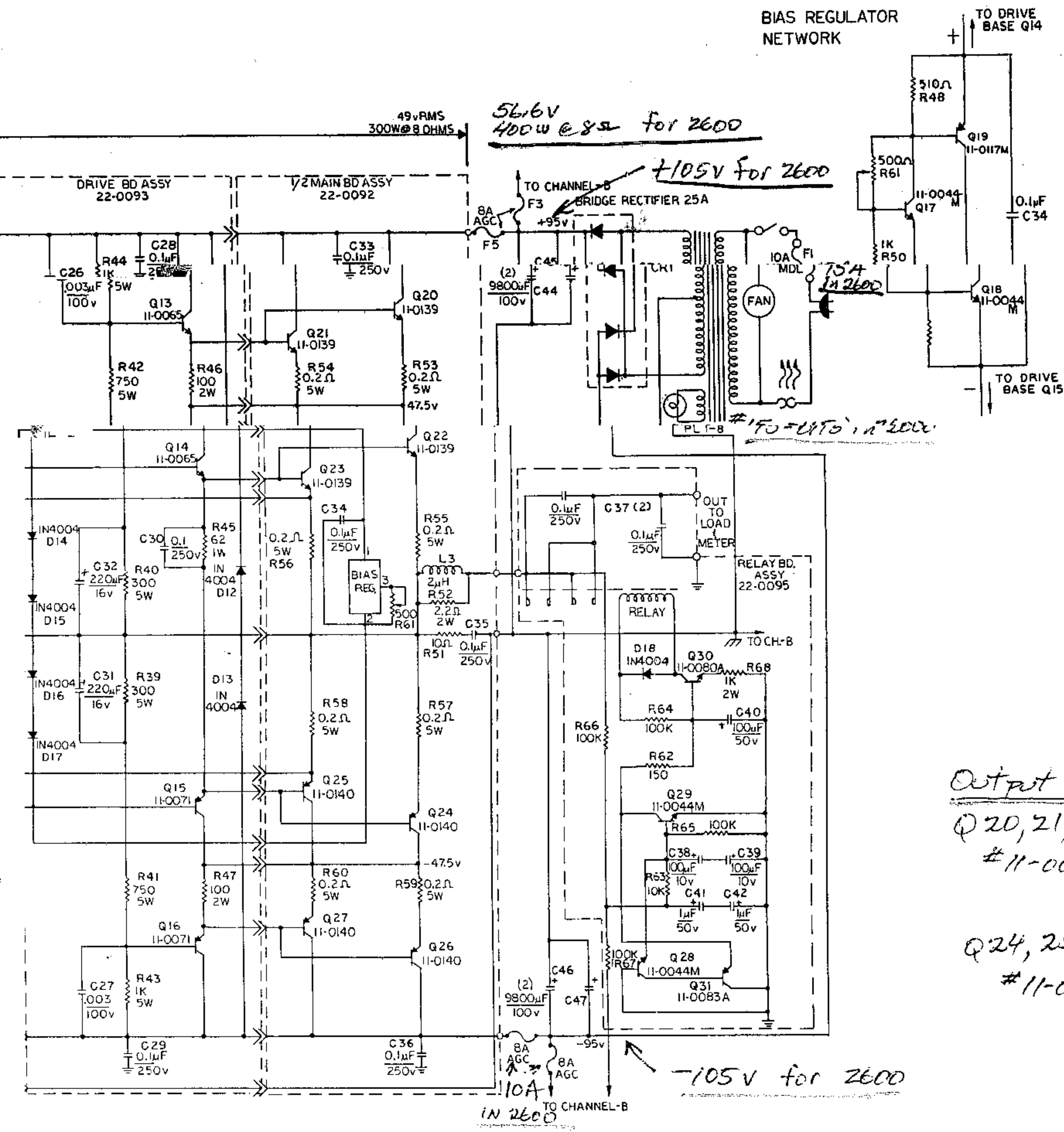


CHANNEL-A ONLY





Output xistrs for 2600
 Q20, 21, 22, 23
 #11-0068 SAE9 (NPN)
 Q24, 25, 26, 27
 #11-0074 SAE8 (PNP)

RESISTORS 1/3W UNLESS OTHERWISE SPECIFIED.
 CAPACITOR VALUES IN PICO FARADS UNLESS OTHERWISE SPECIFIED
 REFERENCE VOLTAGES TAKEN AT A QUIESCENT CURRENT 30mA
 T REFERENCE DESIGNATION: Q28

| | | | |
|---|----------|------------------------------------|---------|
| SAE | | SCIENTIFIC AUDIO ELECTRONICS, INC. | |
| 701 S. MARY ST. LOS ANGELES, CALIF. 90012 | | | |
| TOLERANCE | TITLE | MK 25/2500 SCHEMATIC | |
| UNLESS NOTED | MATERIAL | FINISH | |
| DEC. 1, 1968 | | | |
| FRAC. 2 1/4" | | | |
| ANGLE 2 1/2" | | | |
| SCALE | DATE | DRAWN BY | APP. BY |
| NONE | 5-275 | WS | |
| | | APP. BY | DWG NO |
| | | | 50-0073 |
| | | | REV |